

MAIN PARAMETERS

This key switch module can be used for the Poka-Yoke system. This module acknowledges the occurring errors by using the key switch.

- Error acknowledgement with key switch.
- The module can be mounted on the TRILOGIQ shelf system with a plastic clamp.



TYPE RANGE

KVL-KSW02 Error acknowledging module, with SIEMENS E7 key switch, for the controllers delivered to the VW group.

KVL-KSW02-TM Error acknowledging module, with Telemechanique key switch.

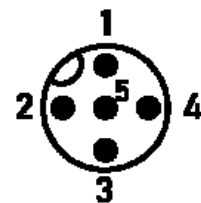
CONNECTOR

M12, 4 Pole, male.

Cable colours: on the basis of Euro-Norm EN 50044.

Length of the cable: 2 meters.

	Cable colour	
1	Brown	Switch
2	White	Switch
3	Blue	Not used
4	Black	Not used
5	Gray	Not used



FITTING INSTRUCTIONS

The module can be mounted to tubular frames with a plastic clamp.

The modules are delivered with clamps for tubular frames of 28 - 28,4 mm in diameter.

If other needs arise, the diameter of the tube used should be provided on order.



Tools for fitting: TORX T30.



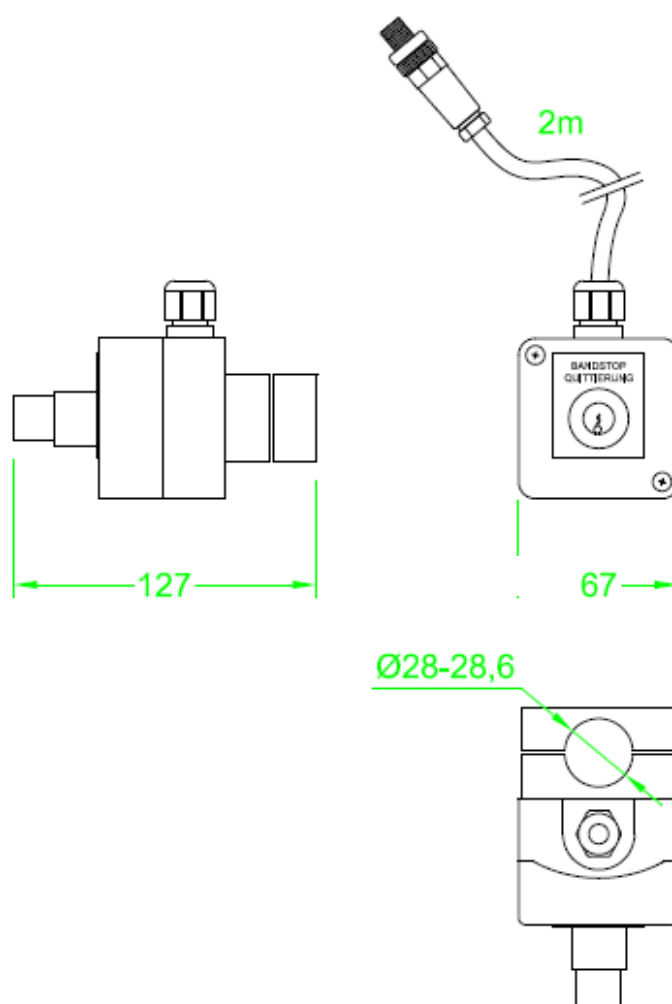
The process of mounting:

1. Remove the half of the plastic clamp from the module;
2. The switch module should be mounted and adjusted to the tubular frame to be clearly visible to the workers;
3. Fix the switch module with the other side of the clamp and screw both bolts (approx. 5 Nm.);
4. Connect the module.



DIMENSIONS

[Scale in mm]



CONTACT

KVL COMP Vezérléstechnikai Kft.

2500 Esztergom, Nagy Sándor József u. 3. HUNGARY

Tel.: 00-36-33-501-616

Fax: 00-36-33-501-615

www.kvlcomp.eu

info@kvlcomp.eu

KVL COMP s.r.o.

Komenského 35, 94301 Štúrovo, SLOVAKIA

Tel.: 00-36-33-501-616

Fax: 00-36-33-501-615

www.kvlcomp.eu

info@kvlcomp.eu