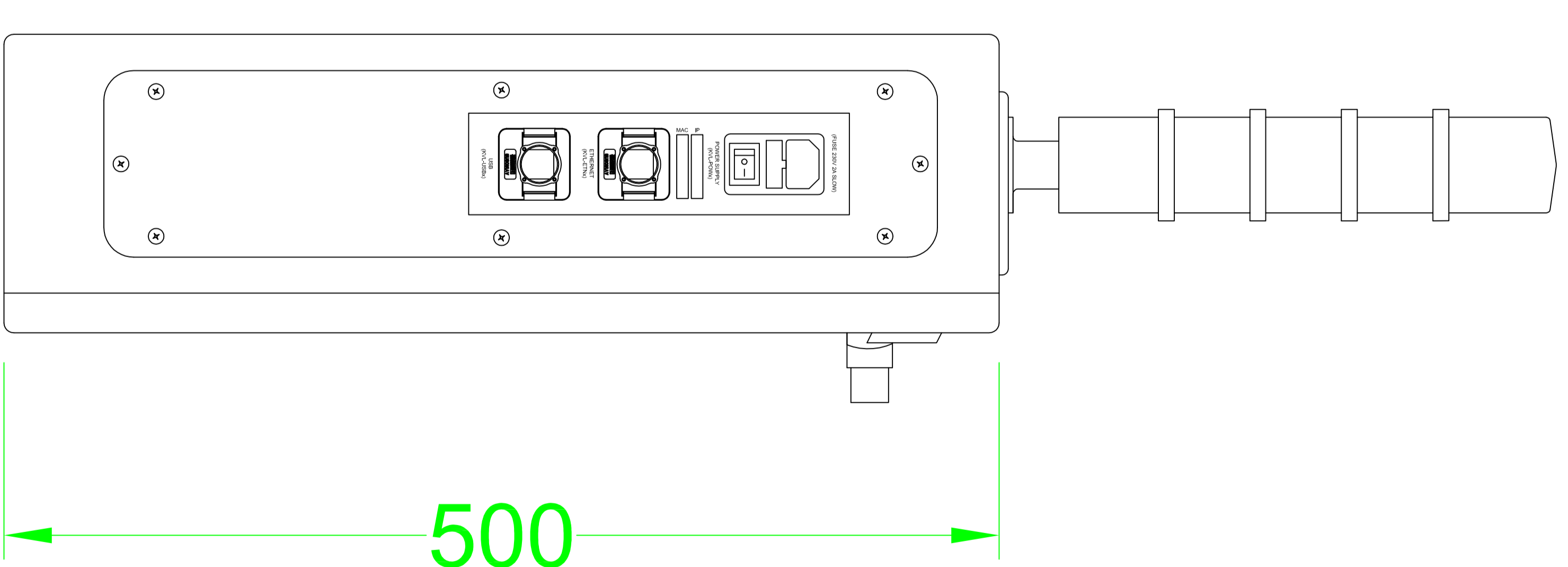
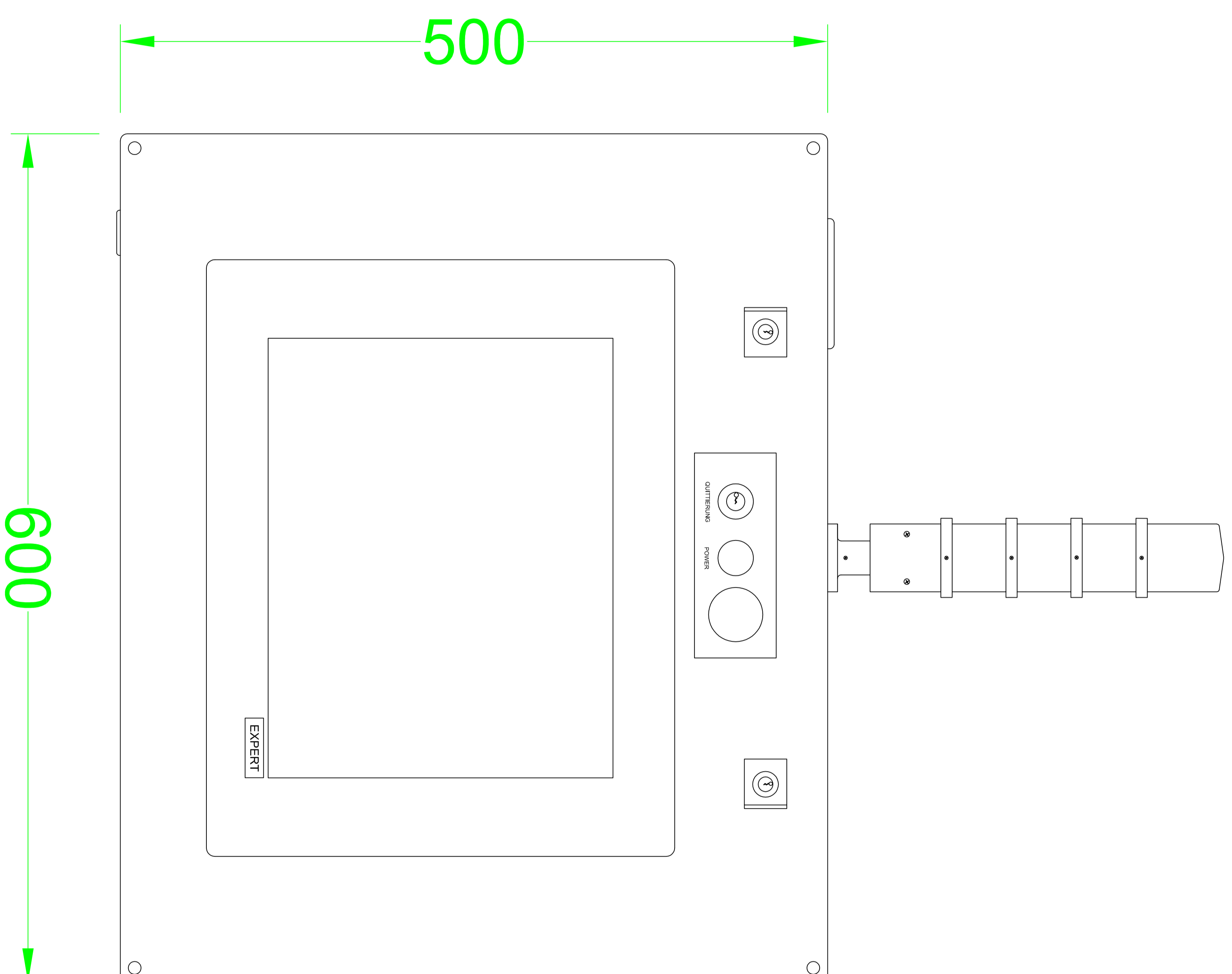
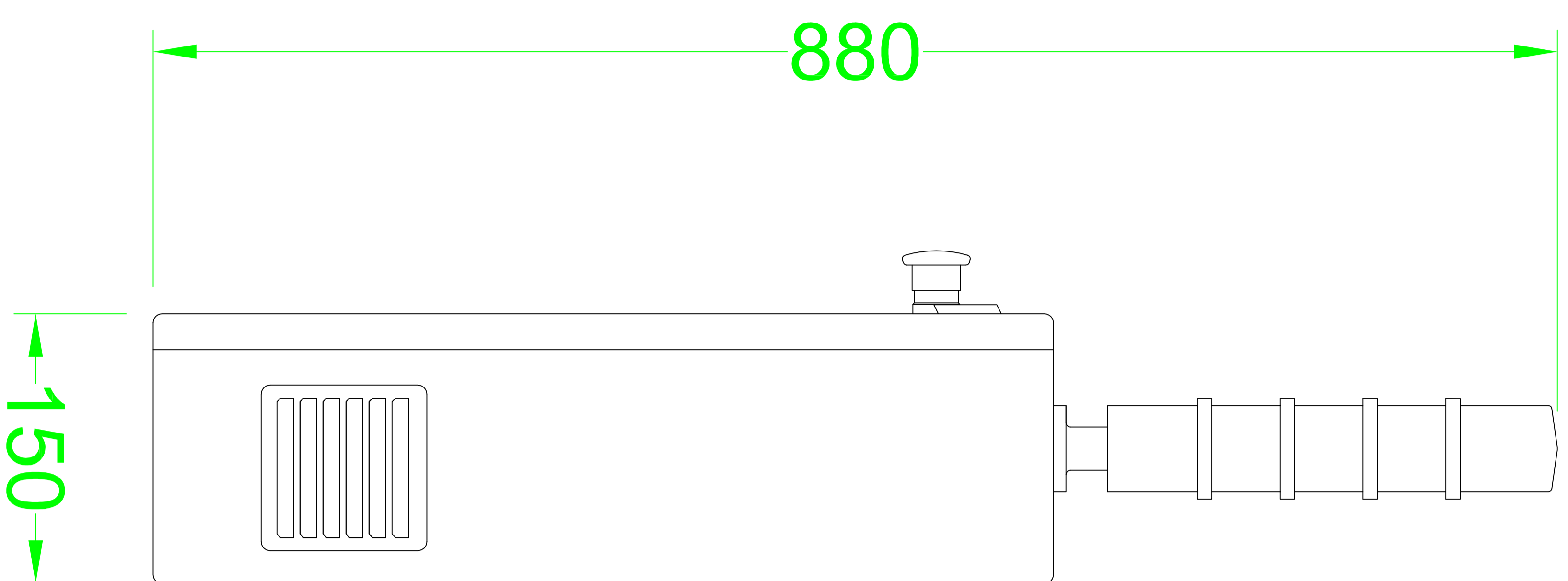


# TVP02



<b>CONTROL BOX</b> <b>KVL-TVP02</b>		<b>KVL COMP</b> <i>Industrial Automation Ltd.</i>	
KVL-TVP02-JCVA		14/07/2010	
X Units	xxx	1/2	