

KVL-PICK009

MAIN PARAMETERS

Indicate with red/green light for the worker, which part must be built in. The acknowledgment happens with rod switch. Module with AS-interface controller.

- Indicate with red or green light, controllable via the AS-I network.
- Long-life, high-brightness LED indication;
- High-persistence contactless switching (Hall-effect).
- The module can be mounted on TRILOGIQ shelf by metal clamp.



TYPE RANGE

KVL-PICK009 PTL display/switch acknowledgement module with AS-i controller, indicate with red/green, acknowledgment with rod switch.

EXTRA ACCESSORIES

KVL-PICK006-K07 AS-I SOCKET CABEL WITH ALUMINIUM TUBE

STRUCTURE OF TYPE NUMBERS

KVL-PICK006-K07- \square - \square - \square
1 2 3

1. Moulded M12 socket with 2m cable:
 - I: straight plug
 - L: angled plug
2. Assembled M12 socket:
 - I: straight plug
 - L: angled plug
3. Length of aluminium tube in mm (max 2000 mm).



For connecting KVL-PICK009 module, KVL-PICK006-K07-L-L-xxx type of cable is recommended. Substitute the length of the protective tube (in mm) for xxx.

Type No.	Length (m)	Conductor size	[1] Moulded socket	[2] Assembled socket
KVL-PICK006-K07-I-I	2	4*0.34 mm ²	M12, socket, straight	M12, socket, straight
KVL-PICK006-K07-I-L	2	4*0.34 mm ²	M12, socket, straight	M12, socket, angled
KVL-PICK006-K07-L-I	2	4*0.34 mm ²	M12, socket, angled	M12, socket, straight
KVL-PICK006-K07-L-L	2	4*0.34 mm ²	M12, socket, angled	M12, socket, angled

The [2] assembled socket is delivered separately and has to be connected after cutting the cable (2 meters). Any further information can be found on the datasheet of cable socket. If 1-2-3 parameters are not defined in the order we deliver automatically KVL-PICK006-K07-I-I-400 type.

KVL-PICK006-K08 AS-I TAP-OFF WITH ALUMINIUM TUBE

STRUCTURE OF TYPE NUMBERS

KVL-PICK006-K08-□ - □
1 2

1. Assembled M12 socket:
I: straight plug
L: angled plug
2. Length of aluminium tube in mm (max 2000 mm).



For connecting KVL-PICK09 module, KVL-PICK006-K08-I-xxx type of cable is recommended. Substitute the length of the protective tube (in mm) for xxx.

Type No.	Length (m)	Conductor size	[1] Assembled socket
KVL-PICK006-K08-I	2	4*0.34 mm ²	M12, socket, straight
KVL-PICK006-K08-L	2	4*0.34 mm ²	M12, socket, angled

The [2] assembled socket is delivered separately and has to be connected after cutting the cable (2 meters). Any further information can be found on the datasheet of cable socket. If 1-2 parameters are not defined in the order we deliver automatically KVL-PICK006-K08-I-400 type.

TECHNICAL DATA

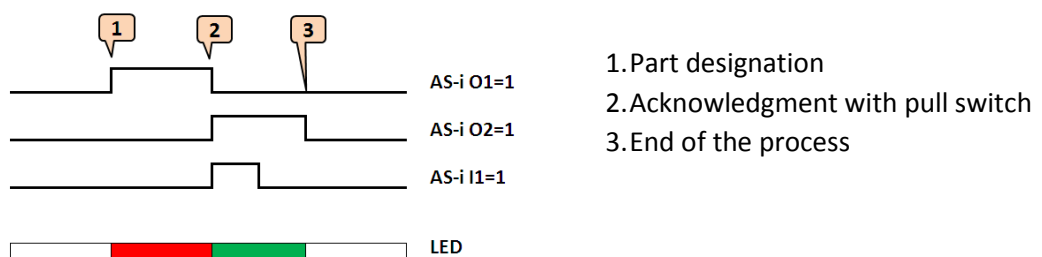
RATED VALUES

Power supply	U_{AUX} , AS-i
Supply voltage	$U_{AUX} = 24V$, AS-i = 18.5 V ... 31.6 V
Current limitation I_{max}	AS-i = 40 mA, $U_{AUX} = 220$ mA
Reverse over potential protection	integrated
Operating temperature	-25°C ... +70°C
Storage temperature	-40°C ... +70°C
Degree of protection (EN 60 529)	IP54
EMC directives	EN 61 000-6-2, EN 61 000-6-4

AS-I DATA

	I/O	=0	=1
Data bits	D0	O1	LED OFF
	D1	O2	Not used
	D2	I1	
	D3	I2	Not used
Parameter bits	P0	Not used	
	P1	Not used	
	P2	Not used	
	P3	Not used	
Address setup	00, changeable via bus-master or programming devices		
Programming	IO	B	
	ID	A	
	ID2	E	

OPERATION DIAGRAM



CONNECTOR

M12, 4 Pole, male

Cable colours: on the basis of Euro-Norm EN 50044

	Cable colour	
1	Brown	AS-i +
2	White	Not used
3	Blue	AS-i -
4	Black	Not used
5	Grey	Not used



MOUNTING

The module can be mounted to tubular frames with a metal clamp. The modules are delivered with clamps for tubular frames of 28-28,4 mm in diameter. If other needs arise, the diameter of the tube used should be provided on order.

Tools for fitting: TORX T20

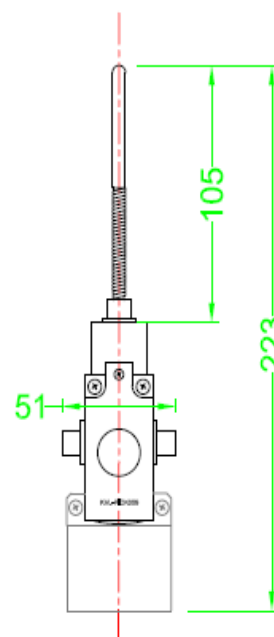
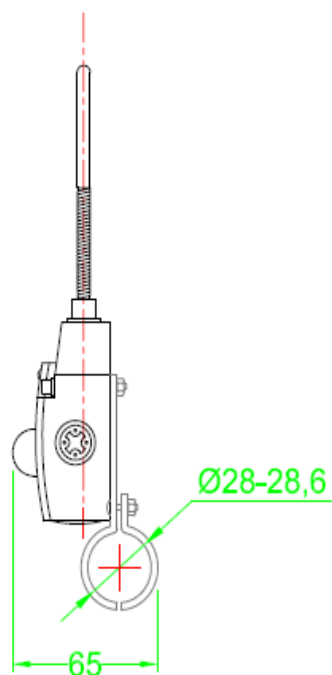


The process of mounting:

1. Remove the half of the plastic clamp from the module;
2. The switch module should be mounted and adjusted to the tubular frame to be clearly accessible for the workers;
3. Fix the switch module with the other side of the clamp and screw both (approx. 5 Nm.);
4. Ensure both screws with self-closing nut.
5. Connect the module to the AS-i network (KVL-PICK006-K06, KVL-PICK006-K07, KVL-PICK006-K08, no accessories).



DIMENSIONS



[Scale in mm]

CONTACT

KVL COMP Vezérléstechnikai Kft.

2500 Esztergom, Nagy Sándor József u. 3. HUNGARY

Tel.: 00-36-33-501-616

Fax: 00-36-33-501-615

www.kvlcomp.eu

info@kvlcomp.eu

KVL COMP s.r.o.

Komenského 35, 94301 Štúrovo, SLOVAKIA

Tel.: 00-36-33-501-616

Fax: 00-36-33-501-615

www.kvlcomp.eu

info@kvlcomp.eu