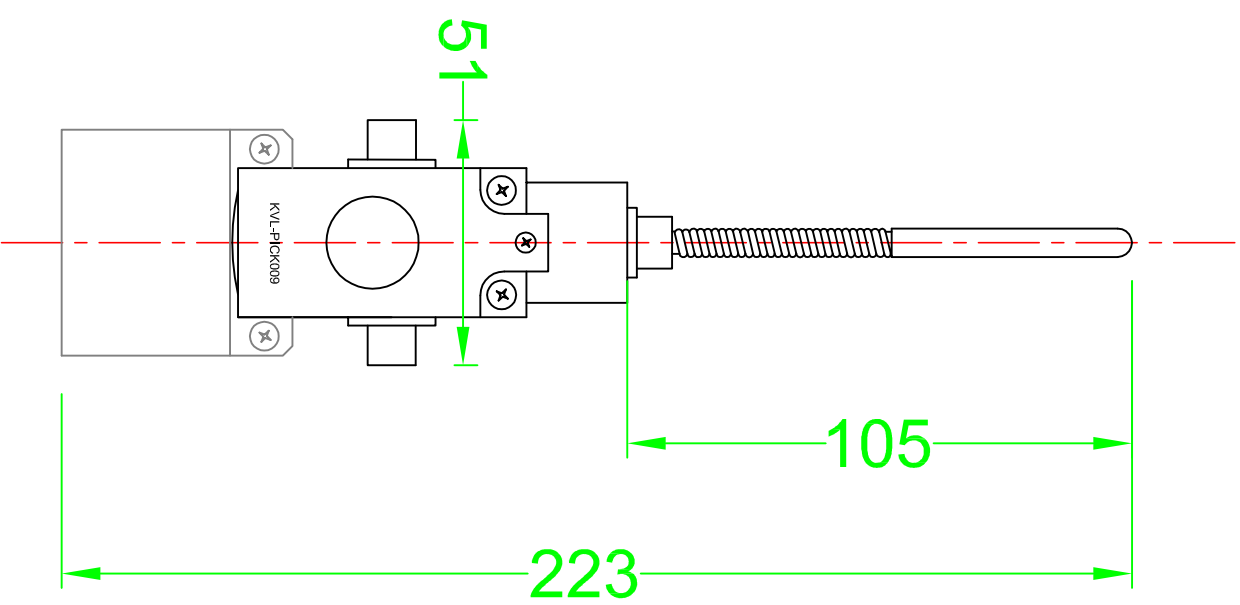
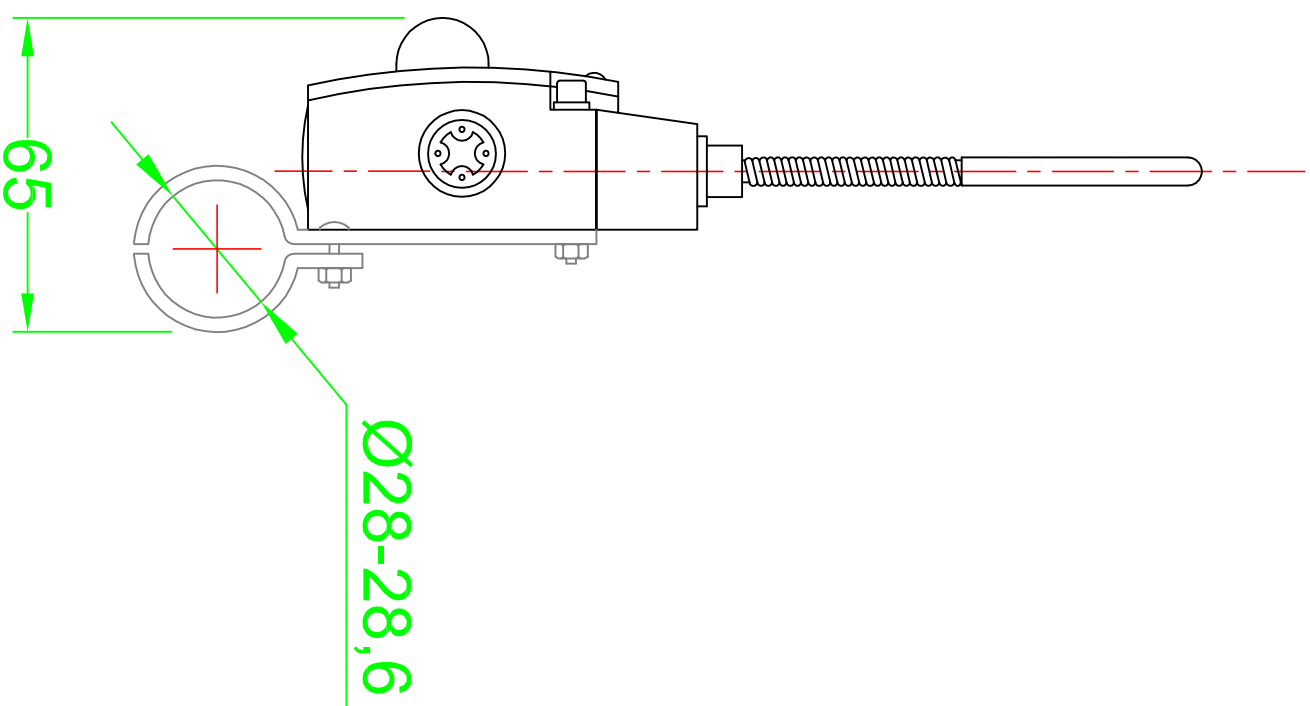


KVL-PICK009



KVL-PICK009 OVERVIEW		KVL COMP Industrial Automation Ltd.
KVL-PICK009-OV-JCVA	29/04/2010	
X Units	YY	1/X