

MAIN PARAMETERS

One-digit large display for controllers connected to AS-i network.

- Large, seven-segment display.
- High brightness, high contrast display.
- Extended lifetime.
- The display is tiltable, rotatable and it is easy to mount to frames or TRILOGIQ rack systems.



TYPE RANGE

KVL-KENN03 One-digit display with AS-i controller.

EXTRA ACCESSORIES

KVL-PICK006-K04 AS-I CABEL SOCKET

STRUCTURE OF TYPE NUMBERS

KVL-PICK006-K04-□ - □
 1 2

1. Moulded M12 socket with 2m cable:
 - I: straight plug
 - L: angled plug
2. Assembled M12 socket:
 - I: straight plug
 - L: angled plug



For connecting KVL-KENN03 module, KVL-PICK006-K04-I-L-xxx type of cable is recommended

Type No.	Length (m)	Conductor size	[1] Moulded socket	[2] Assembled socket
KVL-PICK006-K04-I-I	2	4*0.34 mm ²	M12, socket, straight	M12, socket, straight
KVL-PICK006-K04-I-L	2	4*0.34 mm ²	M12, socket, straight	M12, socket, angled
KVL-PICK006-K04-L-I	2	4*0.34 mm ²	M12, socket, angled	M12, socket, straight
KVL-PICK006-K04-L-L	2	4*0.34 mm ²	M12, socket, angled	M12, socket, angled

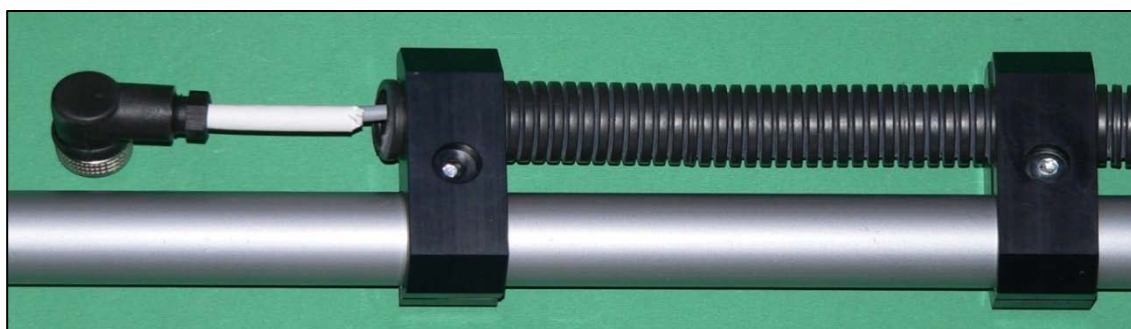
The [2] assembled socket is delivered separately and has to be connected after cutting the cable (2 meters). Any further information can be found on the datasheet of cable socket. If 1-2 parameters are not defined in the order we deliver automatically KVL-PICK006-K04-L-I type.

KVL-PICK006-K06 AS-I SOCKET CABEL WITH FLEXIBLE PLASTIC TUBE

STRUCTURE OF TYPE NUMBERS

KVL-PICK006-K06-□ - □ - □
 1 2 3

1. Moulded M12 socket with 2m cable:
 - I: straight plug
 - L: angled plug
2. Assembled M12 socket:
 - I: straight plug
 - L: angled plug
3. Length of plastic tube in mm (max 2000 mm).



For connecting KVL-KENN03 module, KVL-PICK006-K06-I-L-xxx type of cable is recommended. Substitute the length of the protective tube (in mm) for xxx.

Type No.	Length (m)	Conductor size	[1] Moulded socket	[2] Assembled socket
KVL-PICK006-K06-I-I	2	4*0.34 mm ²	M12, socket, straight	M12, socket, straight
KVL-PICK006-K06-I-L	2	4*0.34 mm ²	M12, socket, straight	socket, angled
KVL-PICK006-K06-L-I	2	4*0.34 mm ²	M12, socket, angled	M12, socket, straight
KVL-PICK006-K06-L-L	2	4*0.34 mm ²	M12, socket, angled	socket, angled

The [2] assembled socket is delivered separately and has to be connected after cutting the cable (2 meters). Any further information can be found on the datasheet of cable socket. If 1-2-3 parameters are not defined in the order we deliver automatically KVL-PICK006-K06-I-I-400 type.

KVL-PICK006-K07 AS-I SOCKET CABEL WITH ALUMINIUM TUBE

STRUCTURE OF TYPE NUMBERS

KVL-PICK006-K07-□ - □ - □
 1 2 3

1. Moulded M12 socket with 2m cable:
 - I: straight plug
 - L: angled plug
2. Assembled M12 socket:
 - I: straight plug
 - L: angled plug



3. Length of aluminium tube in mm (max 2000 mm).



For connecting KVL-KENN03 module, KVL-PICK006-K07-I-L-xxx type of cable is recommended. Substitute the length of the protective tube (in mm) for xxx.

Type No.	Length (m)	Conductor size	[1] Moulded socket	[2] Assembled socket
KVL-PICK006-K07-I-I	2	4*0.34 mm ²	M12, socket, straight	M12, socket, straight
KVL-PICK006-K07-I-L	2	4*0.34 mm ²	M12, socket, straight	M12, socket, angled
KVL-PICK006-K07-L-I	2	4*0.34 mm ²	M12, socket, angled	M12, socket, straight
KVL-PICK006-K07-L-L	2	4*0.34 mm ²	M12, socket, angled	M12, socket, angled

The [2] assembled socket is delivered separately and has to be connected after cutting the cable (2 meters). Any further information can be found on the datasheet of cable socket. If 1-2-3 parameters are not defined in the order we deliver automatically KVL-PICK006-K07-I-I-400 type.

KVL-PICK006-K08 AS-I BRENCH-OFF CABEL WITH ALUMINIUM TUBE

STRUCTURE OF TYPE NUMBERS

KVL-PICK006-K08- -
 1 2

- Assembled M12 socket:
 I: straight plug
 L: angled plug
- Length of aluminium tube in mm (max 2000 mm).



For connecting KVL-KENN03 module, KVL-PICK006-K08-L-xxx type of cable is recommended. Substitute the length of the protective tube (in mm) for xxx.

Type No.	Length (m)	Conductor size	[1] Assembled socket
KVL-PICK006-K08-I	2	4*0.34 mm ²	M12, socket, straight
KVL-PICK006-K08-I	2	4*0.34 mm ²	M12, socket, angled

The [1] assembled socket is delivered separately and has to be connected after cutting the cable (2 meters). Any further information can be found on the datasheet of cable socket. If 1-2 parameters are not defined in the order we deliver automatically KVL-PICK006-K08-I-400 type.

KVL-PICK006-K21 AS-I BRANCHING CABLE FOR SUSPENDED STRUCTURES

The AS-i vampire connector is mounted on a plastic base panel, that ensures the attachment of the connector and makes it possible to establish AS-i networks on suspended structures consisting of standard elements.

STRUCTURE OF TYPE NUMBERS

KVL-PICK006-K21-□₁

1. Assembled M12 socket:

I: straight plug

L: angled plug



For connecting KVL-KENNO3 module, KVL-PICK006-K21-L type of cable is recommended.

Type No.	Length (m)	Conductor size	[1] Assembled socket
KVL-PICK006-K21-I	2	4*0.34 mm ²	M12, socket, straight
KVL-PICK006-K21-L	2	4*0.34 mm ²	M12, socket, angled

The [1] assembled socket is delivered separately and has to be connected after cutting the cable (2 meters). Any further information can be found on the datasheet of cable socket. If 1-2 parameters are not defined in the order we deliver automatically KVL-PICK006-K08-I-400 type.

TECHNICAL DATA

ELECTRICAL CHARACTERISTICS AND ENVIRONMENT

Power supply	U_{AUX} , AS-i
Supply voltage	$U_{AUX} = 24V$, AS-i = 18.5 V ... 31.6 V
Current limitation I_{max}	AS-i = 40 mA, $U_{AUX} = 200$ mA
Reverse over-potential protection	integrated
Operating temperature	-25°C ... +70°C
Storage temperature	-40°C ... +70°C
Degree of protection (EN 60 529)	IP54
EMC directives	EN 61 000-6-2, EN 61 000-6-4

AS-I DATA

	I/O	=0	=1
Data bits	D0	O1	BCD A OFF
		I1	BCD A ON
	D1	O2	BCD B OFF
		I2	BCD B ON
	D2	O3	BCD C OFF
		I3	BCD C ON
	D3	O4	BCD D OFF
		I4	BCD D ON
Parameter bits	P0	Not used	
	P1	Not used	
	P2	Not used	
	P3	Not used	
Address setup	00, changeable via bus-master or programming devices		
Programming	IO	7	
	ID	0	
	ID2	F	

OPERATION MATRIX

O1	BCD A	O2	BCD B	O3	BCD C	O4	BCD D	DISPLAY
0		0		0		0		0
1		0		0		0		1
0		1		0		0		2
1		1		0		0		3
0		0		1		0		4
1		0		1		0		5
0		1		1		0		6
1		1		1		0		7
0		0		0		1		8
1		0		0		1		9

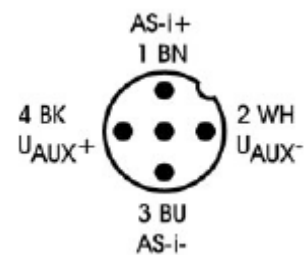
The display remains blank if receives bit combinations not listed in this table

CONNECTOR

M12, 4 Pole, male

Cable colours: on the basis of Euro-Norm EN 50044

	Cable colour	
1	Braun	AS-i +
2	White	U _{AUX} 24V -
3	Blue	AS-i -
4	Black	U _{AUX} 24V +
5	Grey	Not used



The display has 2 connectors on its back panel (marked AS-i 1 and AS-i 2).

The second connector can be used to connect display/acknowledging device (PICK007 display/pull-switch acknowledger).



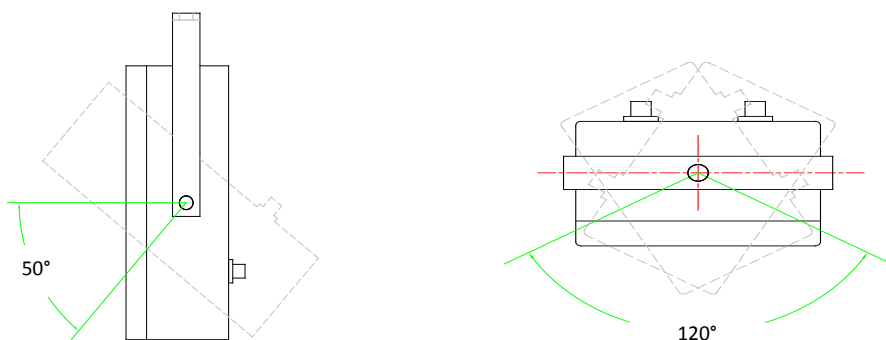
MOUNTING

The display can be mounted using a shackle or a clip. Please indicate the desired mounting method in the order.

MOUNTING THE DISPLAY USING A SHACKLE

You can mount the display using the built-on bent metal shackle. The shackle and the one-screw mounting enable the display to be adjusted to the best position horizontally as well as vertically.

The display should be adjusted to a position that is clearly visible for the workers at the workplace. On the frame a M6 female thread or a borehole of 6,5 mm in diameter is needed for mounting. The connecting elements necessary for mounting are not included.

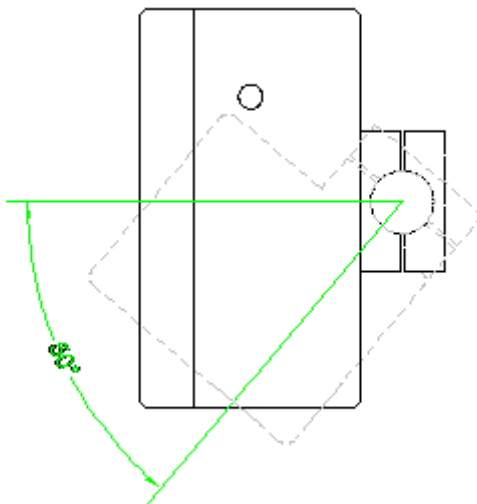


MOUNTING THE DISPLAY USING A CLAMP

The display is mounted using the plastic clamp on its back panel. The tube on which the display is mounted is in a vertical direction. The display can be rotated along the horizontal axis.

The display should be adjusted to a position that is clearly visible for the workers at the workplace.

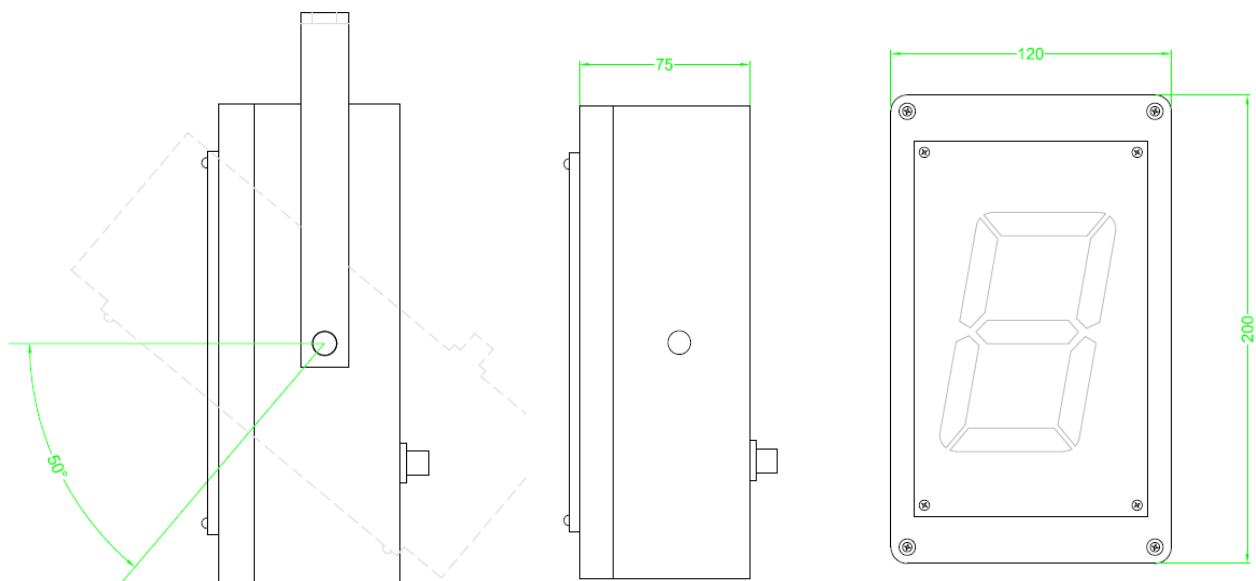
Size of the supporting tube: 28.6 mm in diameter (TRILOGIQ).



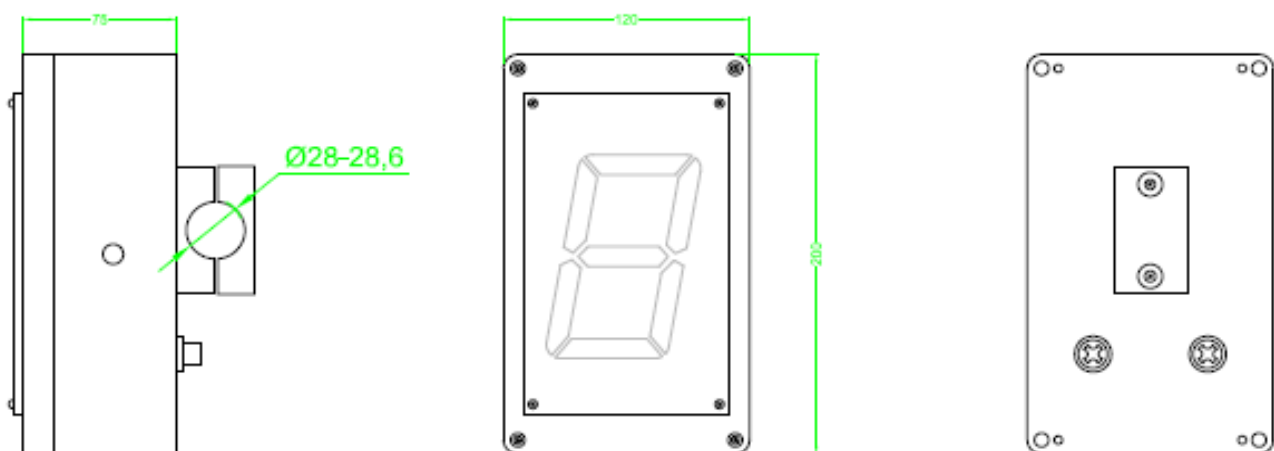
DIMENSIONS

SHACKLE-TYPE MOUNTING

[scale in mm]



CLAMP-TYPE MOUNTING



[The fastener clamp can be mounted on vertical, as well as horizontal tubes. The figure shows a horizontal tube configuration]

CONTACT

KVL COMP Vezérléstechnikai Kft.

2500 Esztergom, Nagy Sándor József u. 3. HUNGARY

Tel.: 00-36-33-501-616

Fax: 00-36-33-501-615

www.kvlcomp.eu

info@kvlcomp.eu

KVL-KENN03

KVL COMP s.r.o.

Komenského 35, 94301 Štúrovo, SLOVAKIA

Tel.: 00-36-33-501-616

Fax: 00-36-33-501-615

www.kvlcomp.eu

info@kvlcomp.eu

KVL1305-EN-01

7