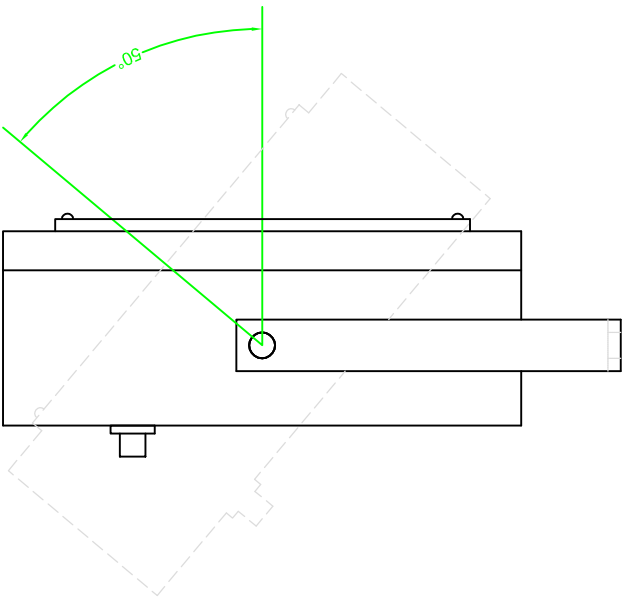
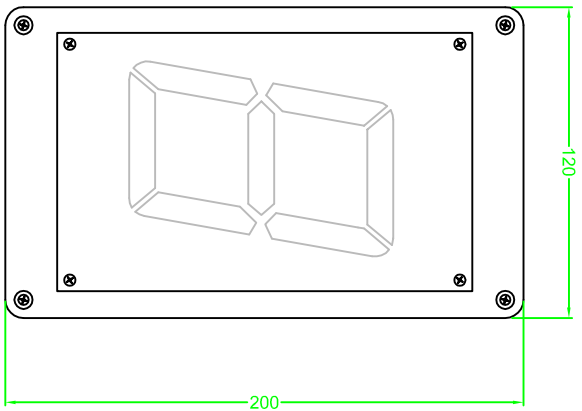
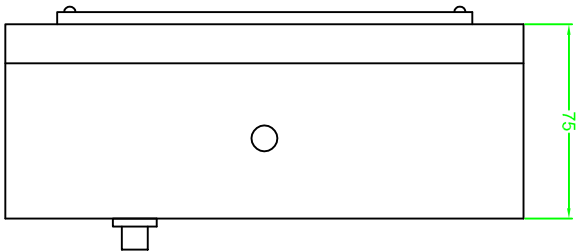


SINGLE DISPLAY KVL-KENN03



KVL-KENN03 OVERVIEW		
KVL-KENN03-OV-ICVA	09/02/2010	KVL COMP Industrial Automation Ltd.
X Units	YY	
		1/X