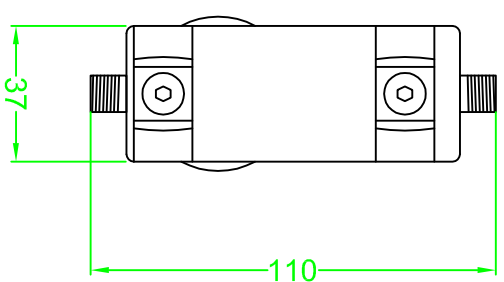
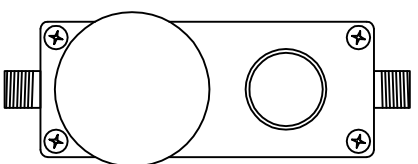
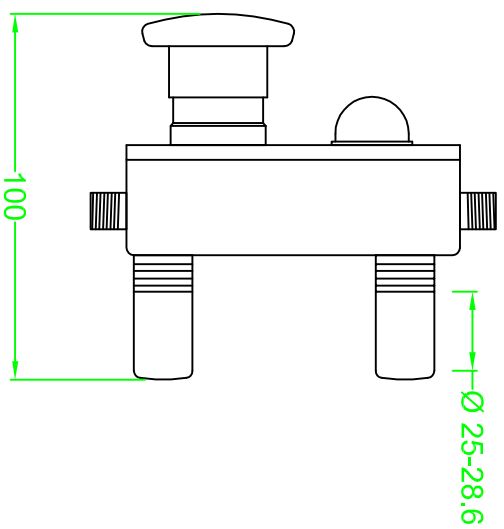


# AS-I PUSH BUTTON



|                                     |            |  |
|-------------------------------------|------------|--|
| <b>AS-I PUSH BUTTON KVL-PICK011</b> |            |  |
| <b>OVERVIEW</b>                     |            |  |
| KVL-PICK011-0V-JCvB                 | 23/03/2010 | KVL COMP<br>Industrial Automation Ltd. |
| X Units                             | YY         |  |
|                                     | 1/X        |  |