

ACKNOWLEDGEMENT MODULE WITH AS-I CONTROLLER

KVL-PICK007



MAIN PARAMETERS

Indicate with red/green light for the worker, which part must be built in. The acknowledgment happens with pull switch. Control boxes with AS-interface controller.

- Indicate with red or green light, controllable via the AS-I network.
- Long-life, high-brightness LED indication.
- With 2 m contact cable (can be adjusted during the installation to the required size).
- The module can be easily installed on a hanging structure.



TYPE RANGE

KVL-PICK007 PTL display/acknowledgement module with AS-I control, indicate with red/green, acknowledgment with pull switch.

EXTRA ACCESSORIES

KVL-PICK006-K04 AS-I CABEL SOCKET

STRUCTURE OF TYPE NUMBERS

KVL-PICK006-K04- \square_1 - \square_2

1. Moulded M12 socket with 2m cable:
 - I: straight plug
 - L: angled plug
2. Assembled M12 socket:
 - I: straight plug
 - L: angled plug



Type No.	Length (m)	Conductor size	[1] Moulded socket	[2] Assembled socket
KVL-PICK006-K04-I-I	2	4*0.34 mm ²	M12, socket, straight	M12, socket, straight
KVL-PICK006-K04-I-L	2	4*0.34 mm ²	M12, socket, straight	M12, socket, angled
KVL-PICK006-K04-L-I	2	4*0.34 mm ²	M12, socket, angled	M12, socket, straight
KVL-PICK006-K04-L-L	2	4*0.34 mm ²	M12, socket, angled	M12, socket, angled

The [2] assembled socket is delivered separately and has to be connected after cutting the cable (2 meters). Any further information can be found on the datasheet of cable socket. If 1-2 parameters are not defined in the order we deliver automatically KVL-PICK006-K04-L-I type.

TECHNICAL DATA

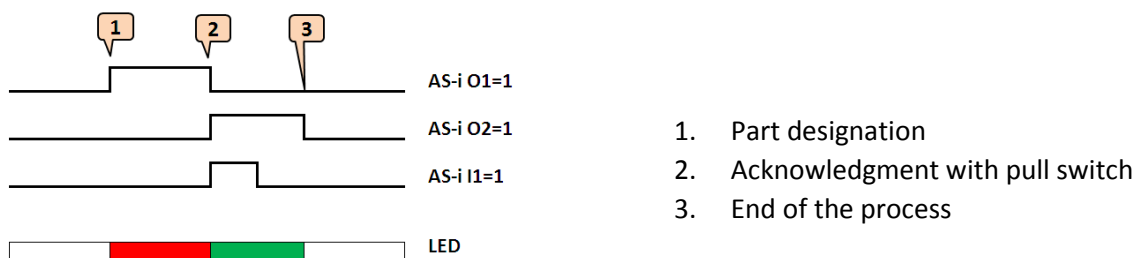
ELECTRICAL CHARACTERISTICS AND ENVIRONMENT

Power supply	U_{AUX} , AS-i
Supply voltage	$U_{AUX} = 24V$, AS-i = 18.5 V ... 31.6 V
Current limitation I_{max}	AS-i = 40 mA, $U_{AUX} = 220$ mA
Reverse over potential protection	integrated
Operating temperature	-25°C ... +70°C
Storage temperature	-40°C ... +70°C
Degree of protection (EN 60 529)	IP54
EMC directives	EN 61 000-6-2, EN 61 000-6-4

AS-I DATA

	I/O	=0	=1
Data bits	D0	O1	RED LED OFF
	D1	O2	GREEN LED ON
	D2	I1	
	D3	I2	Not used
Parameter bits	P0	Not used	
	P1	Not used	
	P2	Not used	
	P3	Not used	
Address setup	00, changeable via bus-master or programming devices		
Programming	IO	B	
	ID	A	
	ID2	E	

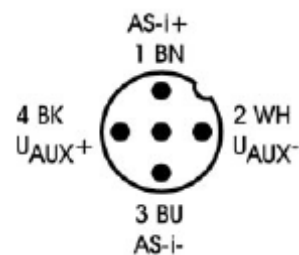
OPERATION DIAGRAM



CONNECTOR

M12, 4 Pole, male
Cable colours: According to Euro-Norm EN 50044

	Cable colours	
1	Brown	AS-i +
2	White	$U_{AUX} 24V -$
3	Blue	AS-i -
4	Black	$U_{AUX} 24V +$
5	Grey	Not used



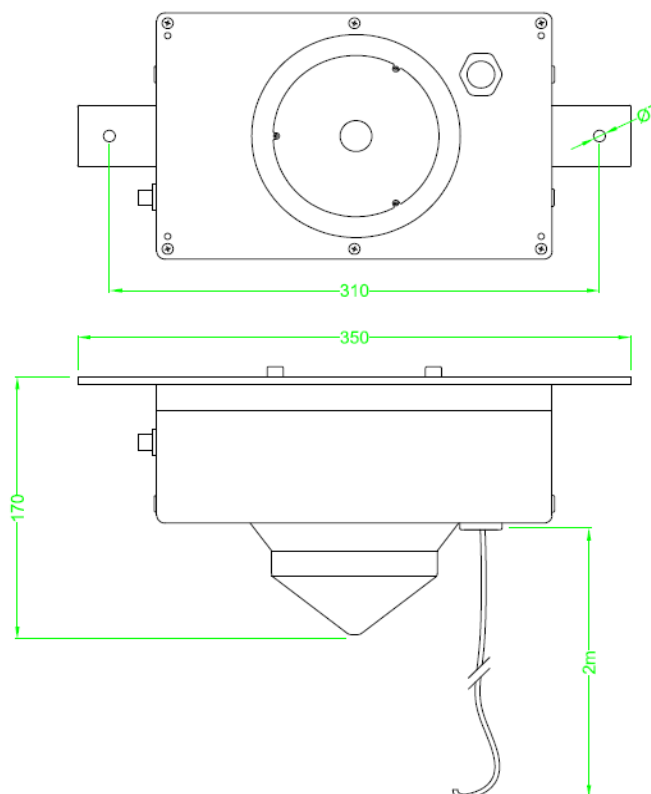
INSTALLATION

The equipment can be fixed by M6 bolt (optional). Please remind during the installation to place the box where the worker can see the lights, and can use the pull switch together properly.



DIMENSIONS

[Scale in mm]



CONTACT

KVL COMP Vezérléstechnikai Kft.

2500 Esztergom, Nagy Sándor József u. 3. HUNGARY
Tel.: 00-36-33-501-616
Fax: 00-36-33-501-615
www.kvlcomp.eu
info@kvlcomp.eu

KVL COMP s.r.o.

Komenského 35, 94301 Štúrovo, SLOVAKIA
Tel.: 00-36-33-501-616
Fax: 00-36-33-501-615
www.kvlcomp.eu
info@kvlcomp.eu